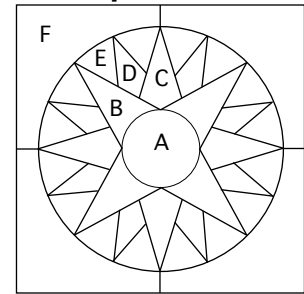


# Circle Star

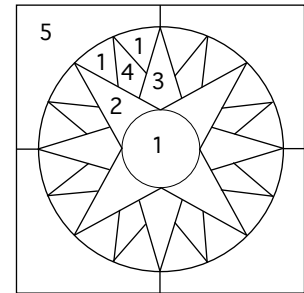
A **BLOCKaWEEK** pattern from [jinybeyer.com](http://jinybeyer.com)



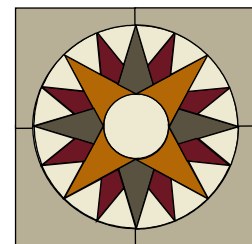
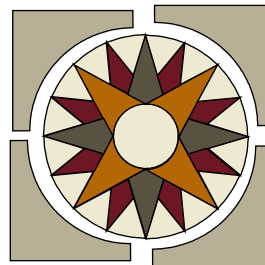
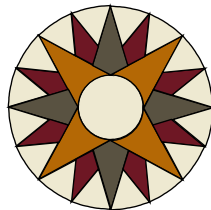
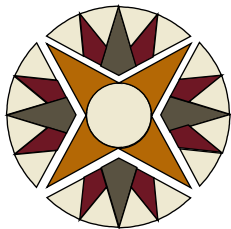
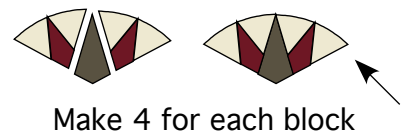
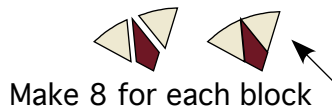
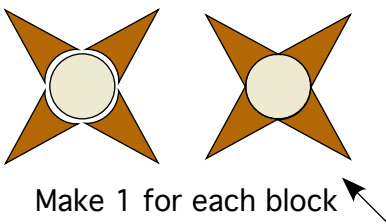
## Template Guide



## Fabric Placement



Circle Star, antique quilt shown in Quilts of Virginia, 2006. For more information on this block see The Quilters' Album of Patchwork Patterns by Jinny Beyer, published by Breckling Press, September, 2009.



The fabrics used in this block are from the Jinny Beyer Palette Fabric Collection and other Jinny Beyer prints. Exact duplication of the block will depend on the availability of the prints. The design of the pattern shown here is a 10" block. Different fabric placement will occur when making the block in one of the other two sizes.

Block 0175

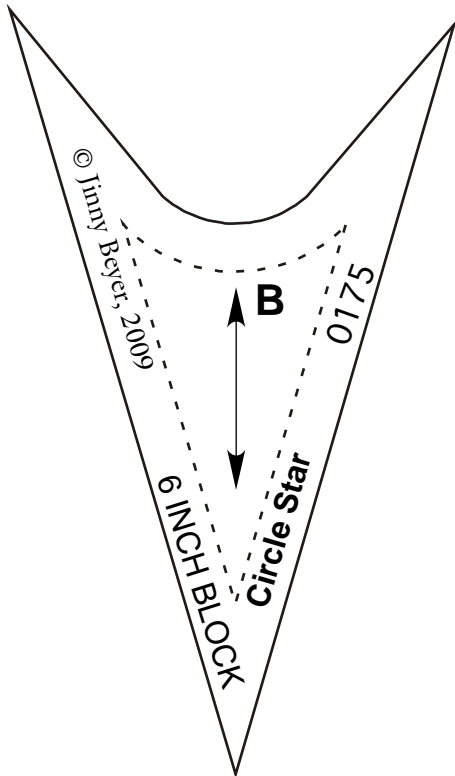
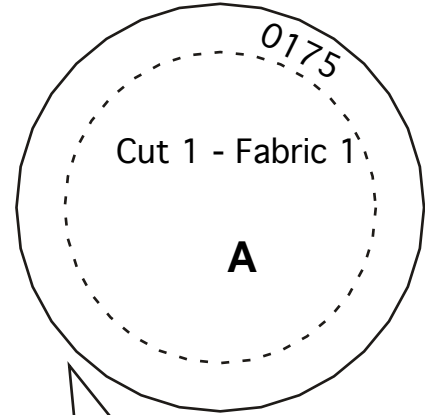
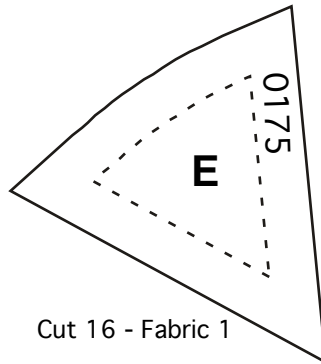
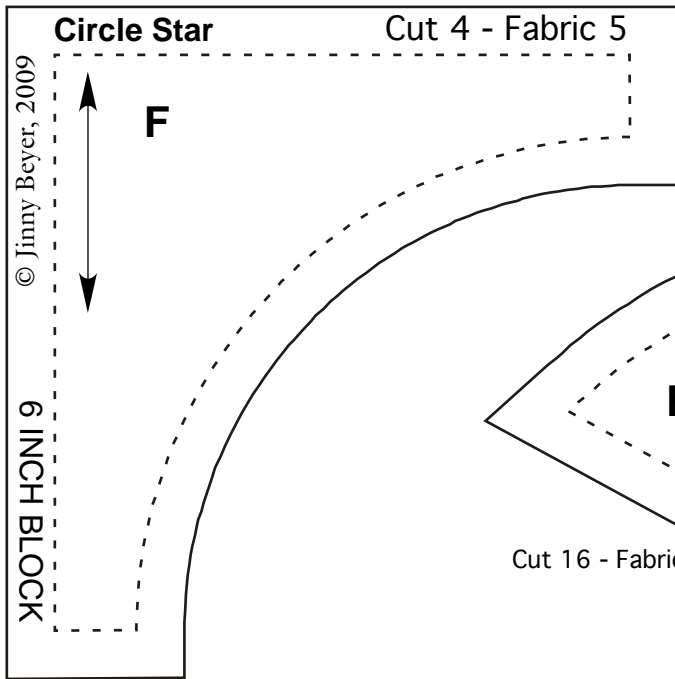


**JINNY BEYER STUDIO** 776 Walker Rd. GREAT FALLS, VA 22066  
703-759-0250 FAX 703-759-0739 TOLL FREE: 866-759-7373 [www.jinybeyer.com](http://www.jinybeyer.com)

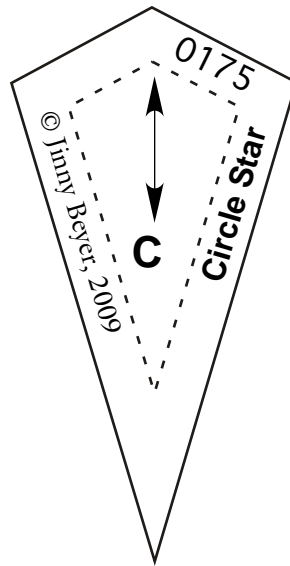
©Jinny Beyer, 2009

# Circle Star

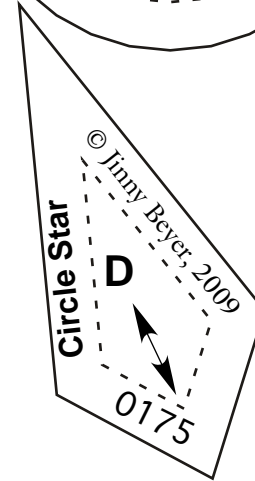
A **BLOCKaWEEK** pattern from [jinnybeyer.com](http://jinnybeyer.com)



Cut 4 - Fabric 2

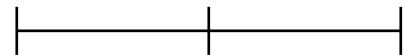


Cut 4 - Fabric 3



Cut 8 - Fabric 3

As drawn, templates should be placed on the right side of the fabric. After printing, check to make sure that the following line is two inches long.



# Circle Star

A **BLOCKaWEEK** pattern from [jinnybeyer.com](http://jinnybeyer.com)

© Jinny Beyer, 2009

**Circle Star**

Cut 4 - Fabric 5

0175

**F**

**E**

Cut 16 - Fabric 1

Cut 1 - Fabric 1

**A**

0175

10 INCH BLOCK

0175

**B**

Cut 4 - Fabric 2

Circle Star

10 INCH BLOCK

**C**

Cut 4 - Fabric 3

0175

Circle Star

Circle Star

**D**

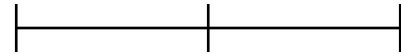
Circle Star

© Jinny Beyer, 2009

0175

Cut 8 - Fabric 3

As drawn, templates should be placed on the right side of the fabric. After printing, check to make sure that the following line is two inches long.



**JINNY BEYER STUDIO** 776 Walker Rd. GREAT FALLS, VA 22066

703-759-0250 FAX 703-759-0739 TOLL FREE: 866-759-7373

[www.jinnybeyer.com](http://www.jinnybeyer.com)

# Circle Star

A **BLOCKaWEEK** pattern from [jinnybeyer.com](http://jinnybeyer.com)

© Jinny Beyer, 2009

